

Step 1 - Install End Brackets

1A. Side to side placement of end brackets is determined by such features as the amount of drapery stack desired and whether the stack is to one or both sides of window and the length of drapery rod ordered for your installation. Lightly mark vertical line at each side of window where center of bracket will be (**mark 1A**).

1B. Top placement of end bracket is determine by measuring the length of your draperies, adding desired clearance from the floor (if any) and then adding the pin hole measurement for your bracket (given in the formulas below). Plug your measurements into the applicable formula below and add to get your top of bracket measurement (**mark 1B**).

Select Premium Formula

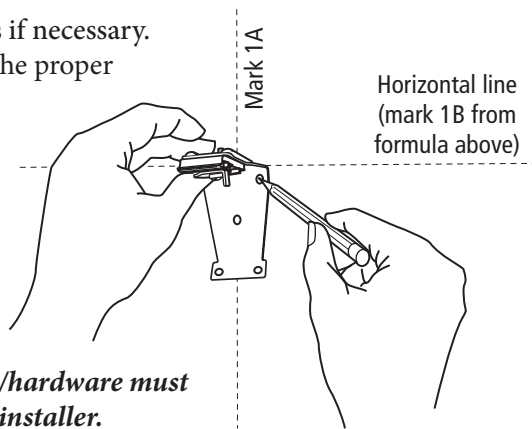
$$\frac{\text{inches}}{\text{Length of Draperies}} + \frac{\text{inches}}{\text{Clearance from Floor}} + \frac{2\frac{3}{8}''}{\text{Pin Hole Measurement}} = \frac{\text{inches}}{\text{Top of Bracket, (mark 1B)}}$$

Select Supreme Formula

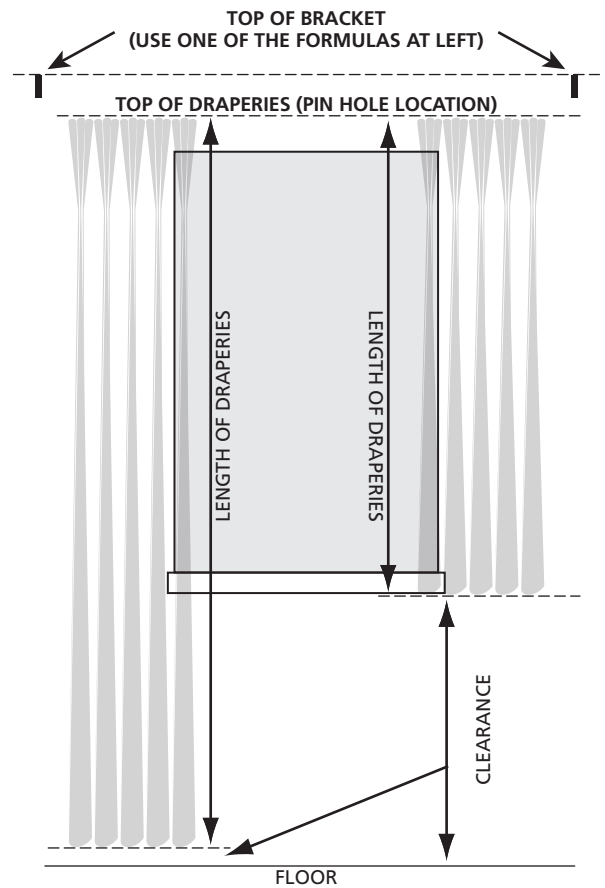
$$\frac{\text{inches}}{\text{Length of Draperies}} + \frac{\text{inches}}{\text{Clearance from Floor}} + \frac{3\frac{1}{4}''}{\text{Pin Hole Measurement}} = \frac{\text{inches}}{\text{Top of Bracket, (mark 1B)}}$$

1C. Using your marks from steps 1A and 1B, hold bracket in place and use a pencil to mark fastener hole locations.

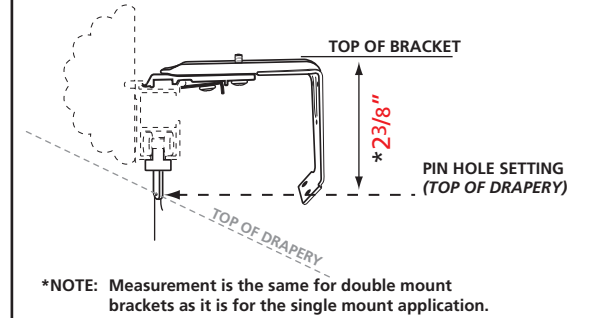
1D. Drill pilot holes if necessary. necessary. Use the proper fasteners for the type/material of wall in your installation. Attach brackets securely to the wall.



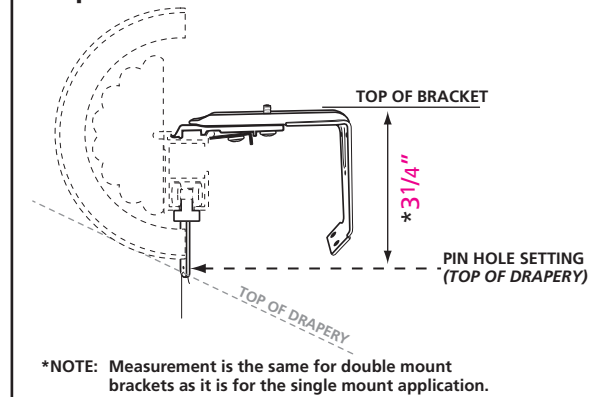
Proper fasteners/hardware must be provided by installer.



Premium Pin Hole Measurement:

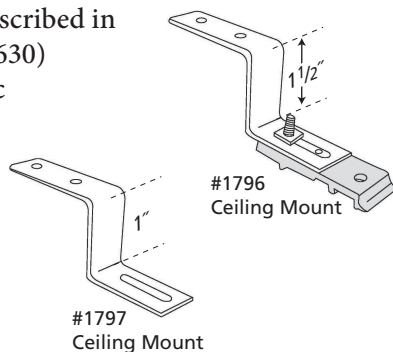


Supreme Pin Hole Measurement:



Ceiling Mount End Brackets (#1796)

Determine side to side place as described in Step 1A. Attach bracket clip (#93630) to ceiling bracket (use clear plastic spacer provided if more distance from ceiling is needed). Install Ceiling Mount Brackets to ceiling.

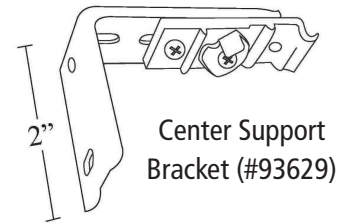


Proper fasteners/hardware must be provided by installer.

Step 2 - Install Center Support Brackets (#93629)

- 2A. Evenly space support brackets between end brackets along horizontal line (mark 1B). The proper number of support brackets for your rod length are included in your hardware. Use method described in step "1C" to mark fastener hole locations for each support bracket. *Use all of the support brackets supplied for your rod.*

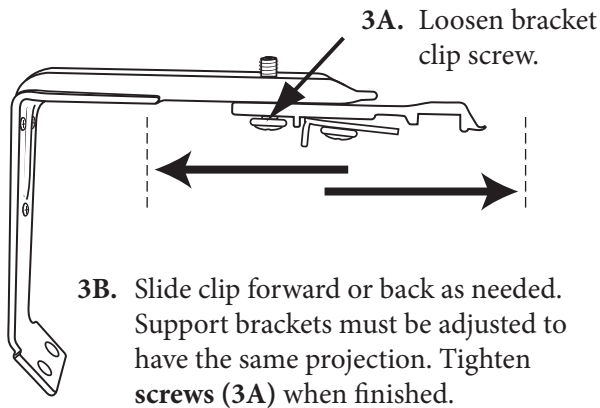
- 2B. Attach support brackets securely to wall. Use the proper fasteners for the type/material of wall in your installation.



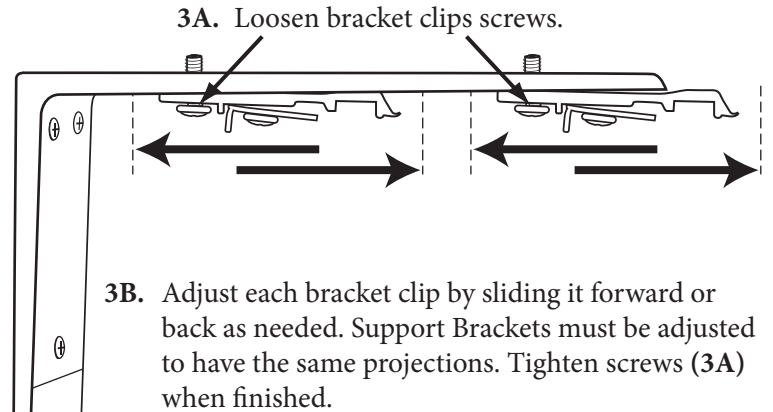
Proper fasteners/ hardware must be provided by installer.

Step 3 - Adjust Bracket Projections

Single Mount End Bracket Adjustment



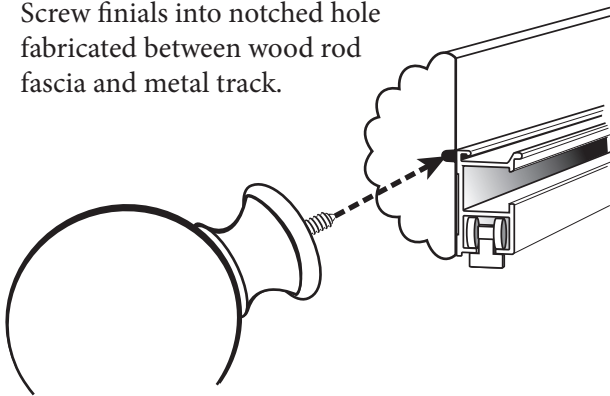
Double Mount End Bracket Adjustment



Step 4 - Attach Finials to Each End of Rod

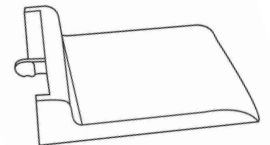
- 4A. Finials should be attached to rod/tracks before they are mounted to the wall.

Screw finials into notched hole fabricated between wood rod fascia and metal track.



Step 5 - Attach Support Bracket Covers

- 5A. Use part #93699 to cover support brackets. Support bracket covers may be painted if needed to match drapery rod finish.



Support Bracket Cover #93699

Step 6 - (Select Supreme Only) Attach Rings to Traverse Masters:

- 6A. If you are installing Select Supreme Rings, attach one SureLock ring to each Traverse Master before mounting pole to brackets. **See Master Ring Assembly on page 4.**

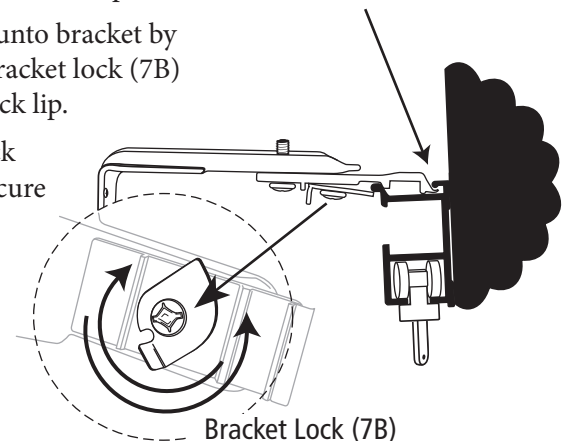
Proceed to step 7 if installing Select Premium (no rings).

Step 7 - Mount Pole Onto Brackets:

- 7A. Drapery rod track slips onto bracket at (7A).

- 7B. Lock track unto bracket by swinging bracket lock (7B) to catch track lip.

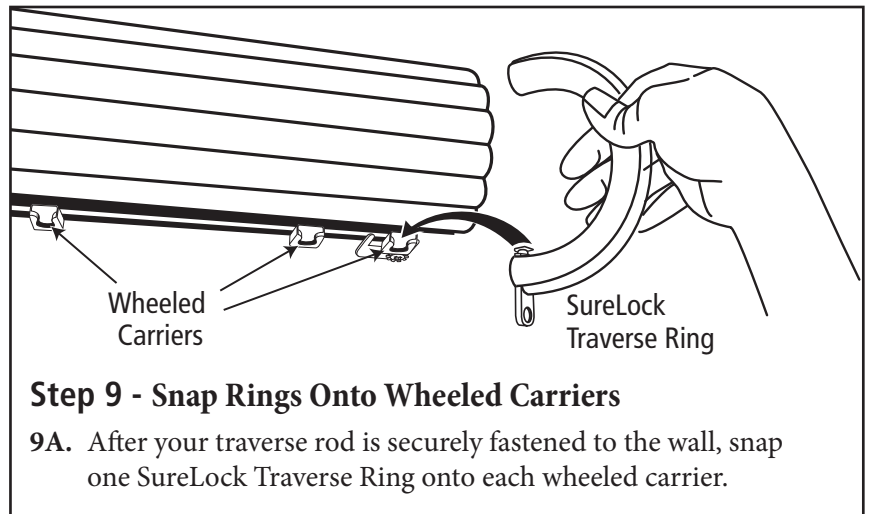
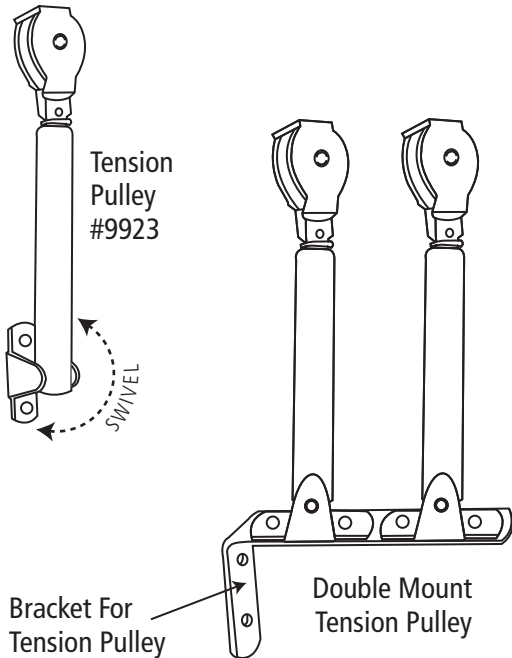
- 7C. Tighten lock screw to secure track into place.



Step 8 - Cord Guide or Tension Pulley

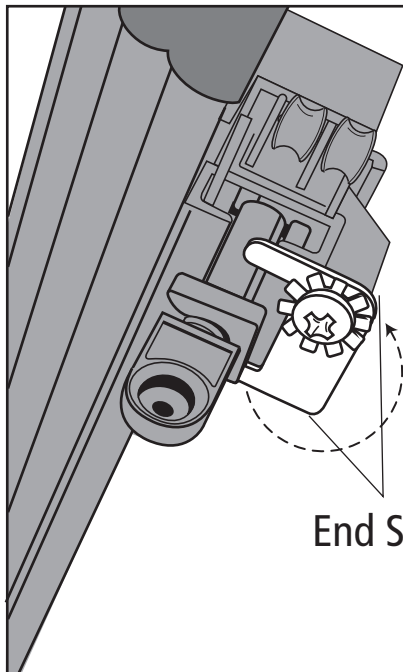
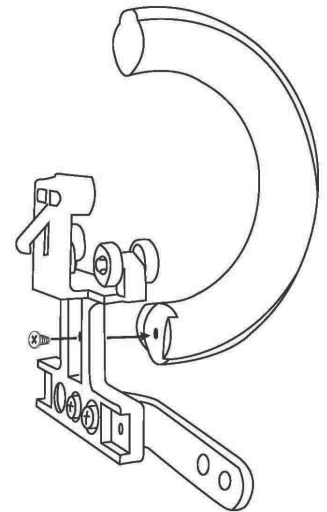
- 8A.** Each corded traverse rod/track ships with a cord guide attached.
- 8B.** Also included in each corded set is a tension pulley. Remove cord guide if using tension pulley.

Attach tension pulley to floor, wall or sill as needed.



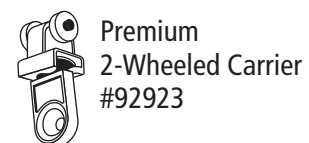
Step 5 Option - Master Ring Assembly

- 5A.** Master Ring must be attached to Traverse Master before mounting pole/track to brackets. Remove tab from one of your Rings. Retain screw for use in Master Ring Assembly.
- 5B.** Attach Ring to Traverse Master as shown.



Step 10 - Remove Any Wheeled Carriers Not Needed.

- 10A.** When hanging your draperies you may find that there are more wheeled carriers in the track than are needed. If so, they should be removed as described in 10B below. Take note of the "Hanging Tip" below.
- 10B.** Looking at the bottom of the drapery rod, loosening "end stop" screw so that "end stop" swings to release locked wheeled carrier. Remove any extra carriers. Capture end most carrier with the "end stop" to lock remaining carriers in track. Tighten end stop screw.



Hanging Tip: It is best to start from the Traverse Master or Master Ring and work your way to the outside of the window. This will facilitate the removal of any extra Wheeled Carriers as described in Step 7.