



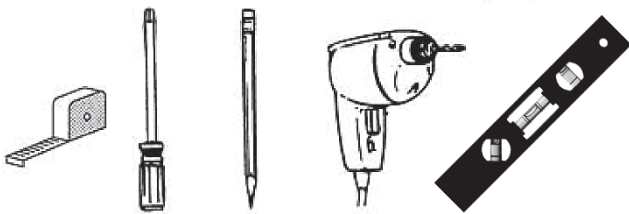
## WOOD HARDWARE Installation Instructions

### Decorative Rods

Thank you for purchasing your new decorative rods. With proper installation and care, they will provide you with many years of beauty and trouble-free use. Clean with a soft cloth. Do not use harsh or abrasive cleaning supplies or polishes which may damage the finish.

### Tools Needed for Installation (not included):

- Tape Measure
- Phillips screwdriver
- Pencil
- Drill with 3/16" drill bit to pre-drill for plastic expansion anchors
- Level (recommended)



### Hardware Components Recommended for Pole purchased

- Suggested support brackets

Rod Width	# of Brackets	Description
4 ft.	2	Two end brackets
6 ft.	3	One center support, two end brackets
8 ft.	4	Two center supports, two end brackets
12 ft.	4	Two center supports, two end brackets

- Screws and plastic anchors
- Finials (sold separately)

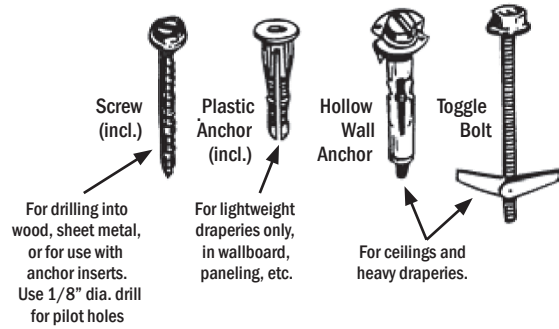
### Tips for Successful Installation

Securely attach all brackets to the mounting surface. If you do not locate and install into wood studs, use the proper wall fasteners and/or plastic anchors designed for your particular mounting surface (screws and plastic anchors are included). When drilling into metal, use self-tapping screws (not included).

Make certain all brackets line up evenly by measuring their placement.

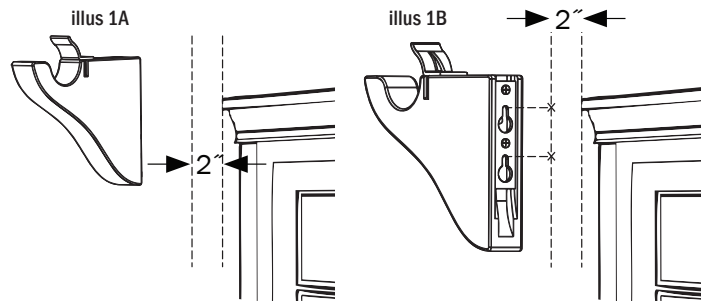
### End Bracket Installation

1. Locate all brackets and correct anchors for your wall type.

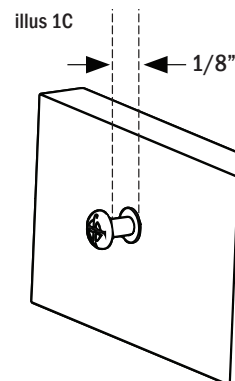


Begin with the two outside ends. Determine the desired height and width based on the curtain measurements. Be certain to make the appropriate allowance for the decorative hardware. It is recommended that the brackets be installed approximately 2"-4" beyond the window frame (see illus 1A).

2. Once the bracket position is determined, use the bracket mount as a guide to mark the location on the wall for anchors or screws (see illus 1B).



3. If using plastic expansion anchors, pre-drill holes using 3/16" drill bit. If drilling directly into a stud or wood trim, pre-drill holes using 3/32" drill bit. Attach the mounting screws into the mounting surface so that the head of the screw forms a gap of approximately 1/8" between the screw head and mount surface (see illus 1C).

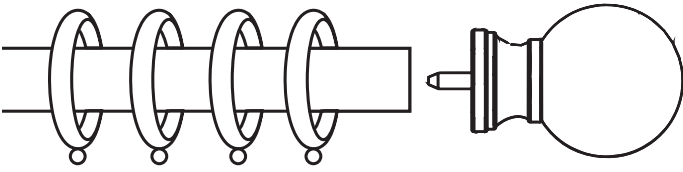


## Center Bracket Installation

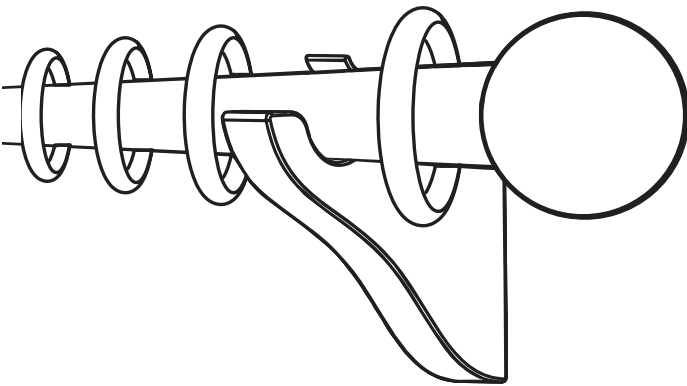
5. When center supports are required, be certain to install the center brackets level with the outside brackets. Follow the same instructions as end brackets above.
6. When using one center support, place it at the center of the window between the two end brackets. When using two center supports, install them an equal distance apart between the two end brackets. If using two center supports, the draperies will not be functional. Rings or grommets cannot pass through or over support brackets.

## Finials, Rings and Pole Attachment:

7. If using rings, slide the appropriate number onto the pole.



8. Screw finial into end of pole by aligning screw shank at base of finial with pre-drilled mounting hole in the end of the pole. Tighten until finial is snug against the end of the pole.
9. Place the pole onto the mounting brackets by snapping the pole into the space between the wood bracket and the plastic retainer mounted to the top of the bracket. The finial, and the last ring or grommet if applicable, should be placed on the outside end of the end brackets.



10. Hang curtains onto the pole or rings as required by the style ordered.